



BlackJack® 'Screw Jack Pedestals'

Adjustable support systems for HydraPressed Slabs



Where function meets style

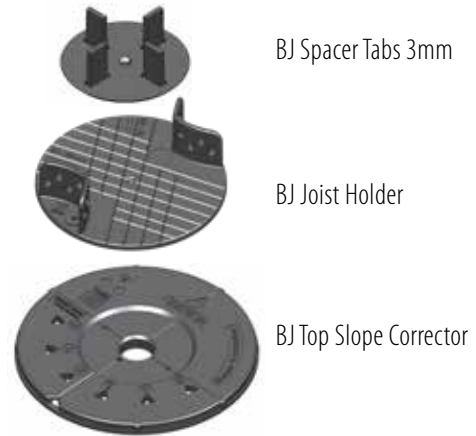


Technical Specifications

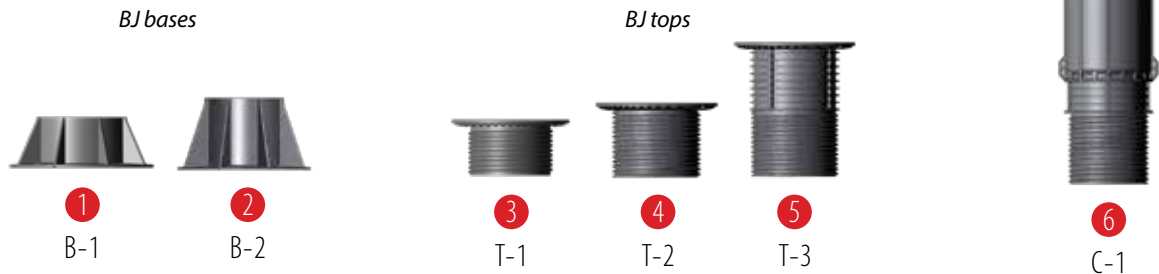
Material	Recycled Polypropylene
Height Range	27/8" - 40" (74mm - 1016mm)
Ultimate Compressive Strength ¹	15kN (3372 lbs)
Design Compressive Strength ¹	11kN (2473 lbs)
Slope correction	0% to 5% @ 1% increment
Base Diameter	7½" (189mm) B-1 8" (202mm) B-2
Spacer Tab Height	5/8" (15mm)
Spacer Tab Thickness	1/8" (3mm) gap between slabs
Joist Holder	1¾" to 3 1/8" (35mm to 80mm) joist width
Biological / Chemical	Unaffected by molds and algae
Resistance	Good resistance to alkali and bitumen

¹varies with different height

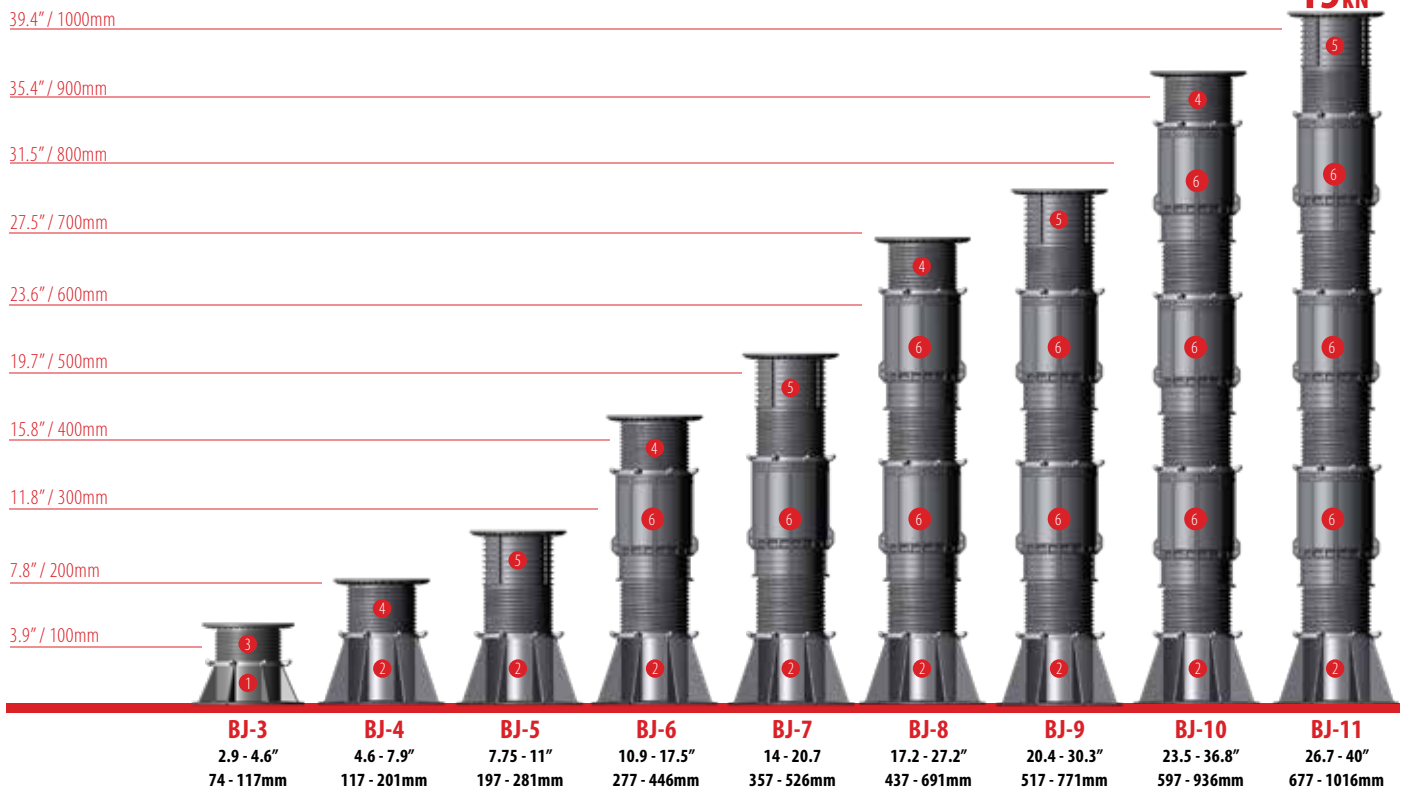
Accessories



BlackJack Components



BlackJack Height Chart





The BlackJack Adjustable Pedestal system is a new generation Screw Jack pedestal engineered to provide a versatile and sustainable cost effective solution to support raised slabs and timber decking on uneven surfaces. It provides a cavity to conceal services, improves both heat and sound insulation, also facilitates rapid surface drainage while allowing waterproofing and services to remain accessible. This suspended system aids in the reduction of efflorescence and algae growth.

BlackJack is a height and slope adjustable pedestal for slab and decking support, engineered to reduce material, construction and lifecycle costs.

It caters to a wide range of height requirements, from **27/8 - 40" (74mm - 1016mm)**, using only three main components (Top, Coupler and Base).

Accessories include top slope-correctors, spacer tabs, couplers and joist holders.

High Compressive Strength

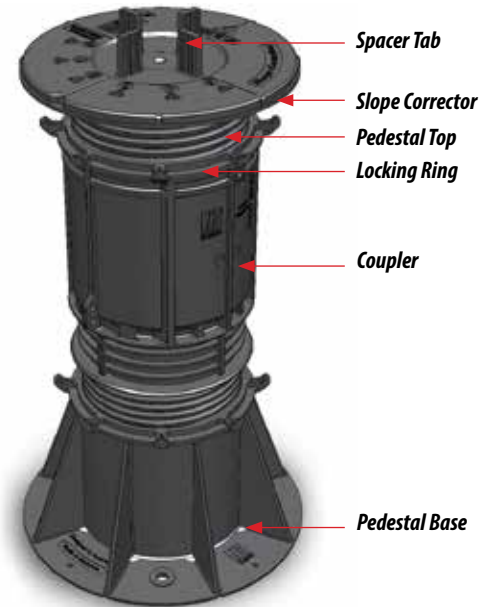
BlackJack has high ultimate compressive strength for various height combinations.

Supports Green Building

BlackJack is manufactured from recycled polypropylene, LEED points available.

Advantages

- Easy to install and lightweight
- Progressive height increments
- Top slope correction
- Easily removed and reused
- Made from recycled polypropylene
- LEED points available



BlackJack provides stable support for installation of decking using joist holders

Construction Benefits

BlackJack provides a quick to install alternative to on-site fabricated concrete or metal piers.

It allows convenient progressive height adjustments and correction for fall. Desired height is secured with integrated Locking Rings.

The large flat base and rounded edges do not penetrate and compromise waterproofing membranes. The base flange design prevents water ponding and breeding of pests.

Unique **BlackJack** Turning Tool (pictured below) connected to a power drill permits height adjustments to be made with minimum effort. Available from your Abbotsford Concrete Representative.



BlackJack allows easy accessibility to services when required

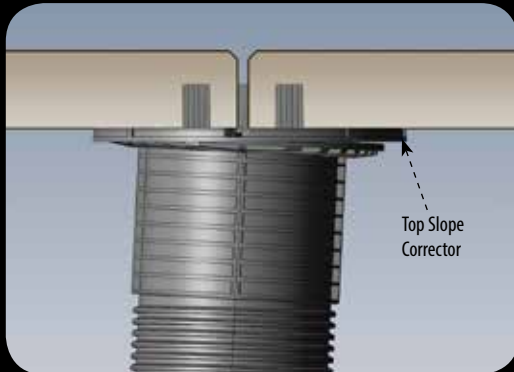


Turning Tool greatly reduces the time needed for height adjustments

Distinctive Features

Top Slope Corrector

Top Slope Correctors provide for slope compensation up to 5%, keeping slabs level on a sloping surface.



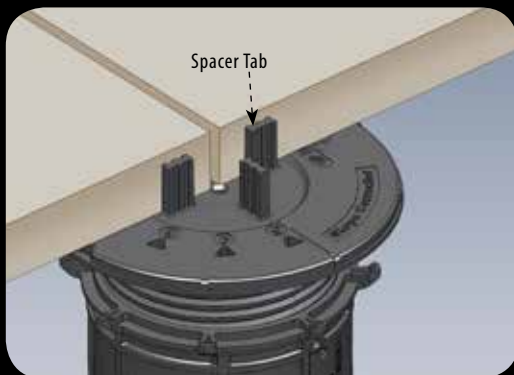
Locking Ring

Locking Rings ensure pedestals are secured at desired heights and are easily removed when not required.



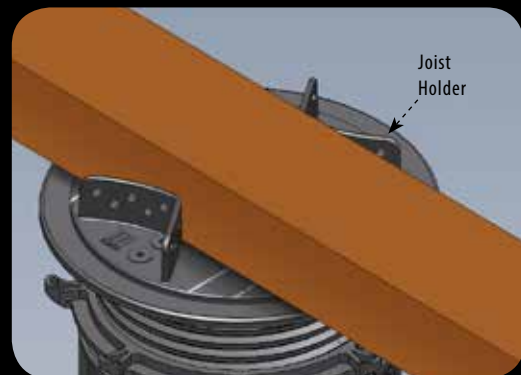
Spacer Tab

Spacer Tab height 5/8" (15mm) with a thickness of 1/8" (3mm) between slabs.



Joist Holder

Joist Holders accommodate joist width from 1 3/8" to 3 1/8" (35mm - 80mm) to keep joists firmly in place on pedestals.



Visit our website at www.pavingstones.com